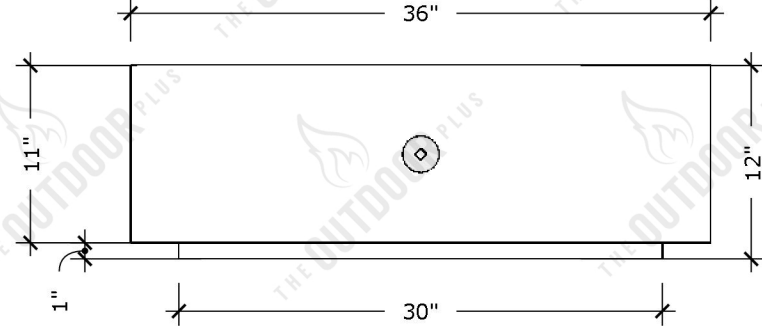
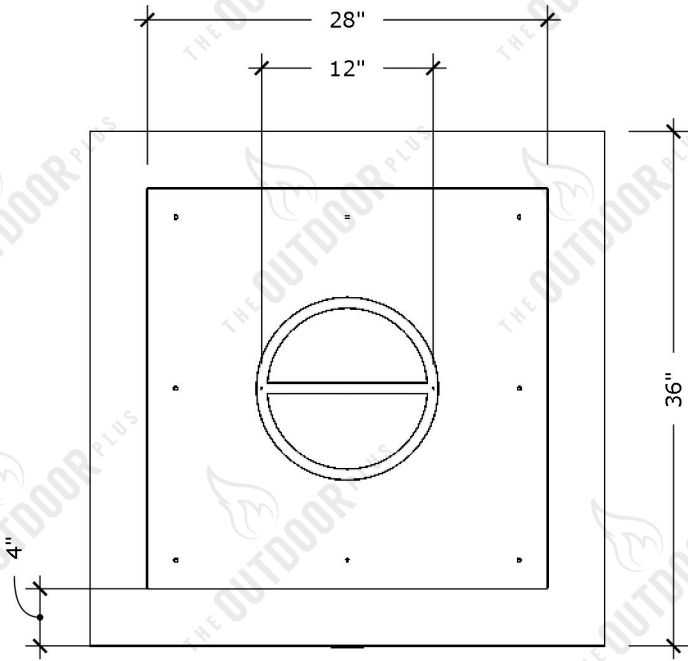


**PERSPECTIVE**



**FRONT**



**TOP**

**Quad 36" GFRC Fire Pit**

<b>Part Number</b>	OPT-QD36
<b>Material</b>	GFRC Concrete
<b>Finishes</b>	N/A
<b>Gas Type</b>	NG or LP
<b>Weight</b>	180 lbs
<b>BTUs</b>	65,000
<b>Suggested Fire Glass</b>	75 LBS
<b>Access Door</b>	N/A



235 East Main St  
 Ontario CA 91761  
 Office: (909) 460-5579